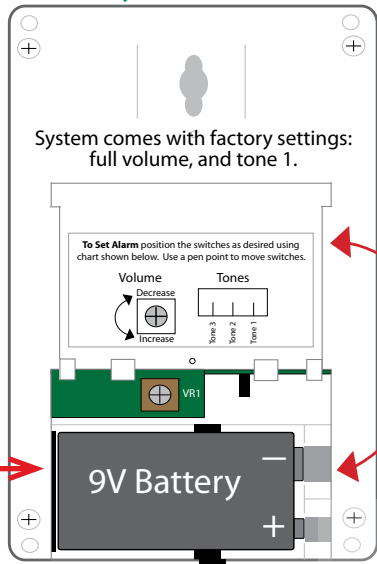


Quick Start Instructions

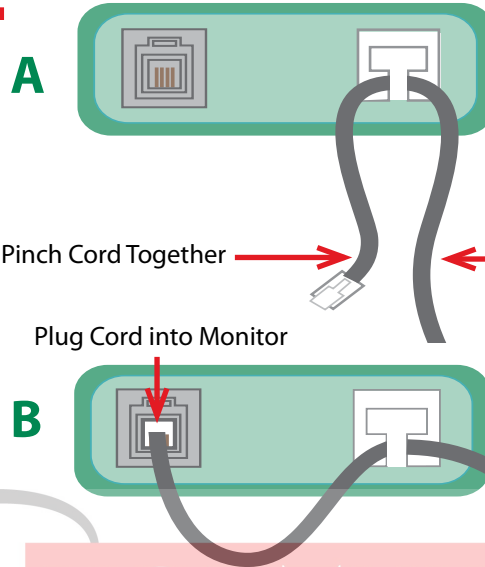
1 Insert 9V Battery



Back of Monitor

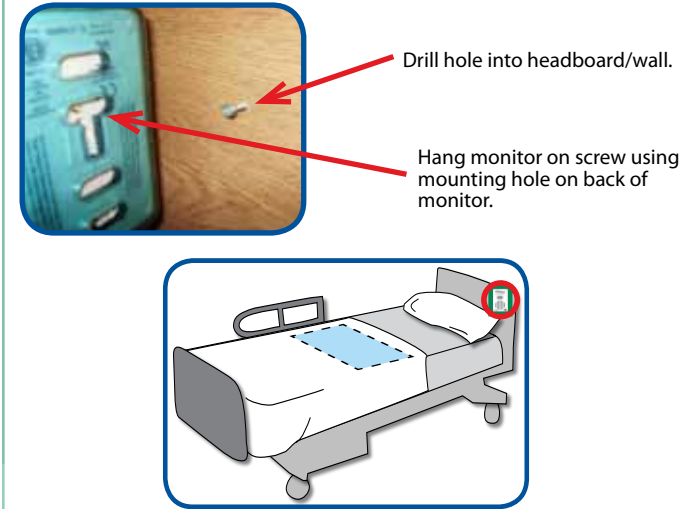
Note: Black ribbon goes underneath battery for easy removal.

2 Plug in Cord



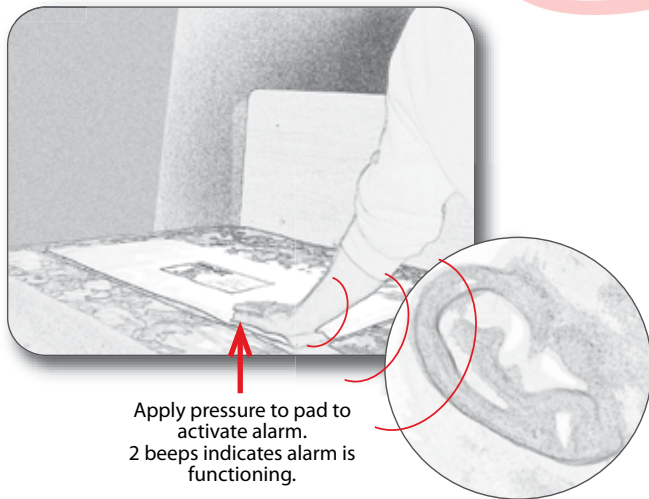
Note: Breakaway cords will not fit into strain relief.

3 Attach Monitor



Note: Other mounting options available. Call 800-650-3637

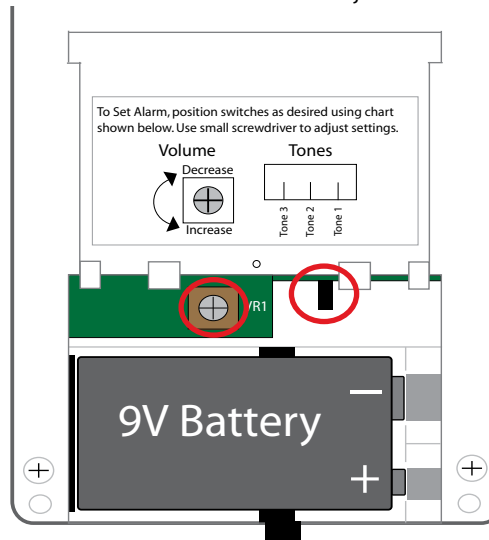
4 Test System



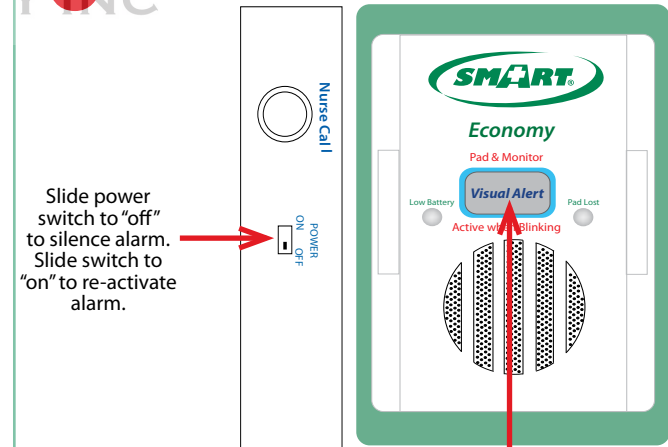
Alarm will sound when pressure is released from pad. Slide switch on side of monitor to "off" to silence alarm. Slide switch on side of monitor to "on" to re-activate alarm.

5 Adjust Settings (Optional)

System comes with factory settings: full volume, and tone 1. Use a small flathead screwdriver to adjust volume.



6 How to Silence an Alarming Monitor



"Pad & Monitor Active when Blinking" light illuminates only when pad is plugged into monitor and pressure is on pad.

Note: TamperProof™ Monitor with Reset Button Available. Call 800-650-3637

