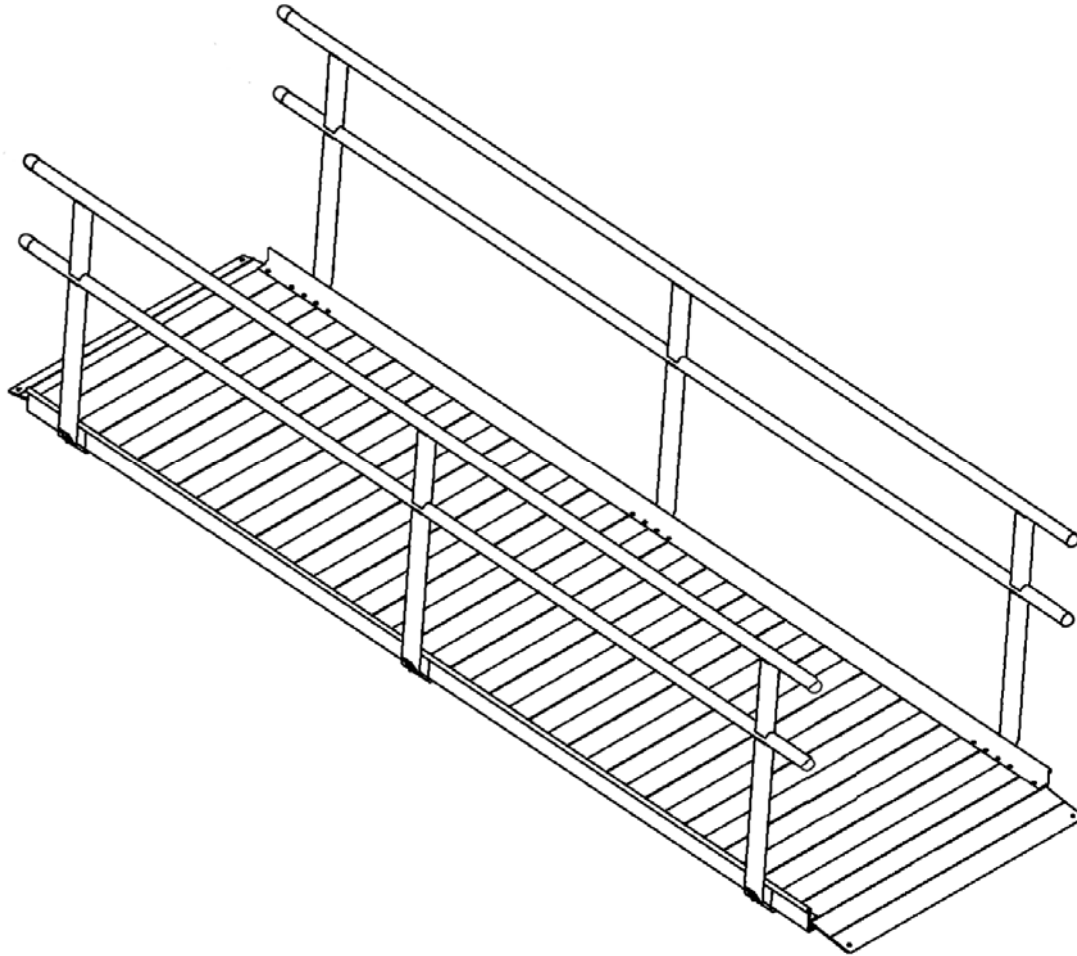


PATHWAY® Classic Series with Handrails Portable Wheelchair Ramp

INSTRUCTIONS FOR USE



Pathway Ramp
EZ-ACCESS®

INSTRUCTIONS

1) FOR EZ-ACCESS® PATHWAY® RAMP WITH HANDRAILS

- 850 pound weight capacity.
- Available in 4', 6', 8' & 10' lengths.

2) ATTENTION INSTALLER:

- Read all instructions, including 'PERIODIC MAINTENANCE AND SAFETY', prior to ramp assembly.
- Please leave INSTRUCTIONS with the end user.

3) ATTENTION END USER:

- Please read and become familiar with the 'PERIODIC MAINTENANCE AND SAFETY' section of this guide.
- Fill out and return warranty information.

4) TOOLS TYPICALLY REQUIRED:

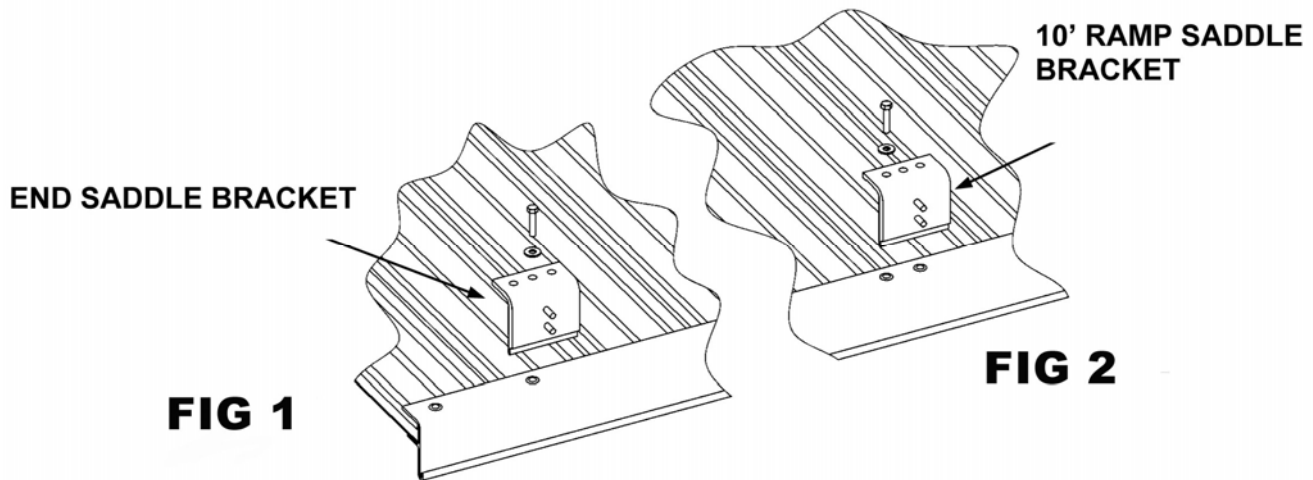
- ✓ ½" SOCKET WRENCH
- ✓ POWER DRILL (IF PERMANENTLY INSTALLING RAMP)
- ✓ 3/16" DRILL BIT (IF PERMANENTLY INSTALLING RAMP)
- ✓ 5/16" MASONRY DRILL BIT (IF PERMANENTLY INSTALLING TO CONCRETE PORCH, STEP, ETC.)

5) PERIODIC MAINTENANCE AND SAFETY: To ensure safe use, the following are necessary guidelines for your EZ-ACCESS® Ramp:

- IMPORTANT: USE ONLY WITH A QUALIFIED HELPER.**
- DO NOT EXCEED 850-pound load limit.**
- Always use your lap belt.
- It is important that you refer to your equipment's Owner Guide for the proper degree of incline/decline and chair direction before attempting ramp use. Never exceed its recommendations (see INCLINE CHART on back panel).
- SAFETY & MAINTENANCE:** Regularly check ramp for damage, and check and tighten any loose fasteners. Keep ramp surface clear of ice, snow, dirt, leaves, and other debris. For snow/ice, remove accumulation and sweep the surface clean. To remove dirt, leaves, and other debris, sweeping the surface or using a garden hose will usually suffice, but, if needed, use a damp cloth or soft brush with non-alkaloid detergent and water. Rinse well and use extra caution if ramp surface is wet.
- Do not play on or near ramp.
- Keep ramp and platform surface clean from debris at all times.
- Do not use handrails or ramp to support planters, decorations, etc.
- Ramp surface may become slippery when wet.
- If any part of the ramp is damaged or loose, **DO NOT USE UNTIL REPAIRS CAN BE MADE BY A CERTIFIED INSTALLER OR OTHER QUALIFIED PERSON.**

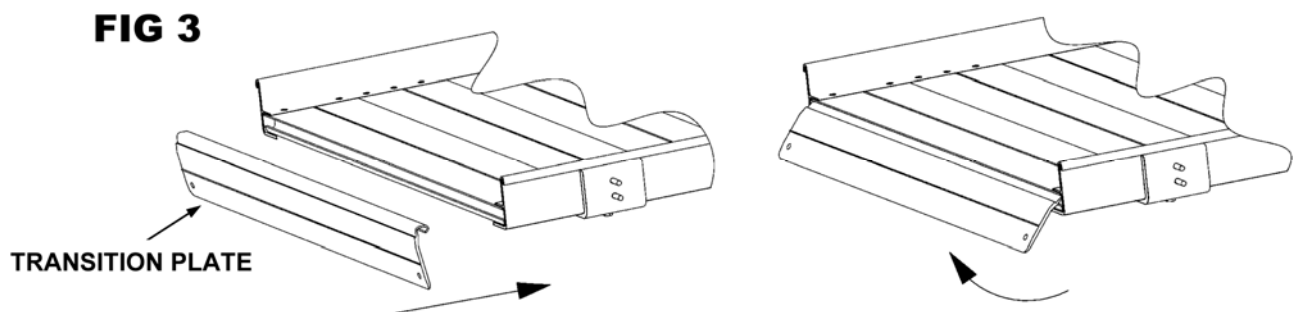
A) **GETTING STARTED**

- i) Turn the ramp section upside down on a flat surface. Do this on cardboard or a lawn so that the ramp is not damaged (scratched or dented).
- ii) Install 4 end saddle brackets, one at each outside corner of the ramp (the end saddle brackets are used to attach handrails later) (FIG 1).
 - a. Each end saddle bracket is installed using one 5/16" x 1 1/2" bolt & washer and is installed into the threaded insert located second from the end of the ramp (FIG 1).
 - b. For 4', 6', 8', & 10' ramps, use one at each outside corner of the ramp.
 - c. For a 10' ramp, 2 additional 10' ramp saddle brackets are installed at the center of each ramp section (FIG 2).



- iii) Turn the ramp over to the upright position.
 - a. Place the upper end of the ramp onto the supporting surface, i.e., platform, porch, etc.
- iv) Once the ramp is resting on the porch or platform, lift the upper end of the ramp and install the top transition plate into what will be the upper end of the ramp and the bottom transition plate into what will be the lower end of the ramp (FIG 3).

NOTE: The bottom transition plate is the larger of the two.



- a. Maneuver the ramp to its desired position (FIG 4).

IMPORTANT: Make sure the top transition plate overlaps the supporting surface as far as possible.

- 2) **ANCHOR TOP TRANSITION PLATE:** The top transition plate must be anchored to a substantial surface to assure the ramp will not be dislodged. Use the pre-drilled holes at each corner of the top transition plate as guides.

A) **IF RESTING ON A WOODEN SURFACE:**

- i) Drill two $\frac{1}{8}$ " holes into the wooden surface and secure by installing a $\frac{1}{4}$ x 1 pan head self drilling screw ss into each hole (FIG 5).

FIG 4

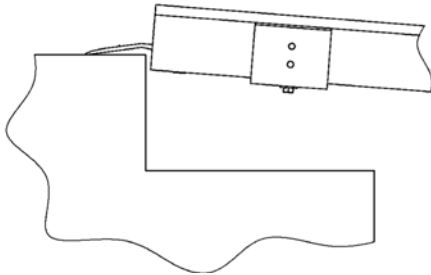
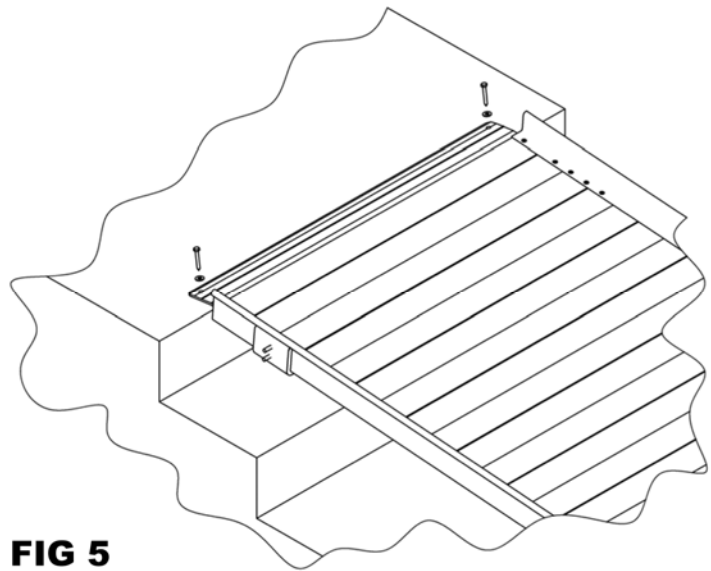


FIG 5



B) **IF RESTING ON A CONCRETE SURFACE:**

NOTE: Top transition plate will need to be removed in order to perform the following steps listed in ITEM B.

- i) Using a $\frac{5}{16}$ " masonry bit, drill two $1\frac{1}{2}$ " deep holes.
ii) Lightly set lead concrete anchor into holes with a hammer.
iii) Re-attach the top transition plate and align over the drilled holes.
iv) Secure the top transition plate by installing a $\frac{1}{4}$ x 1 pan head self drilling screw ss into each hole.

C) **IF RESTING ON AN ALUMINUM PLATFORM:**

- i) Drill two $\frac{1}{8}$ " holes and secure by installing a $\frac{1}{4}$ x 1 pan head self drilling screw ss into each hole.

NOTE: If the hole you are drilling is not coming out between two ribs on the underside of the platform, drill a new $\frac{1}{8}$ " hole through the top transition plate and platform in a position that will allow the screws to be installed between the ribs.

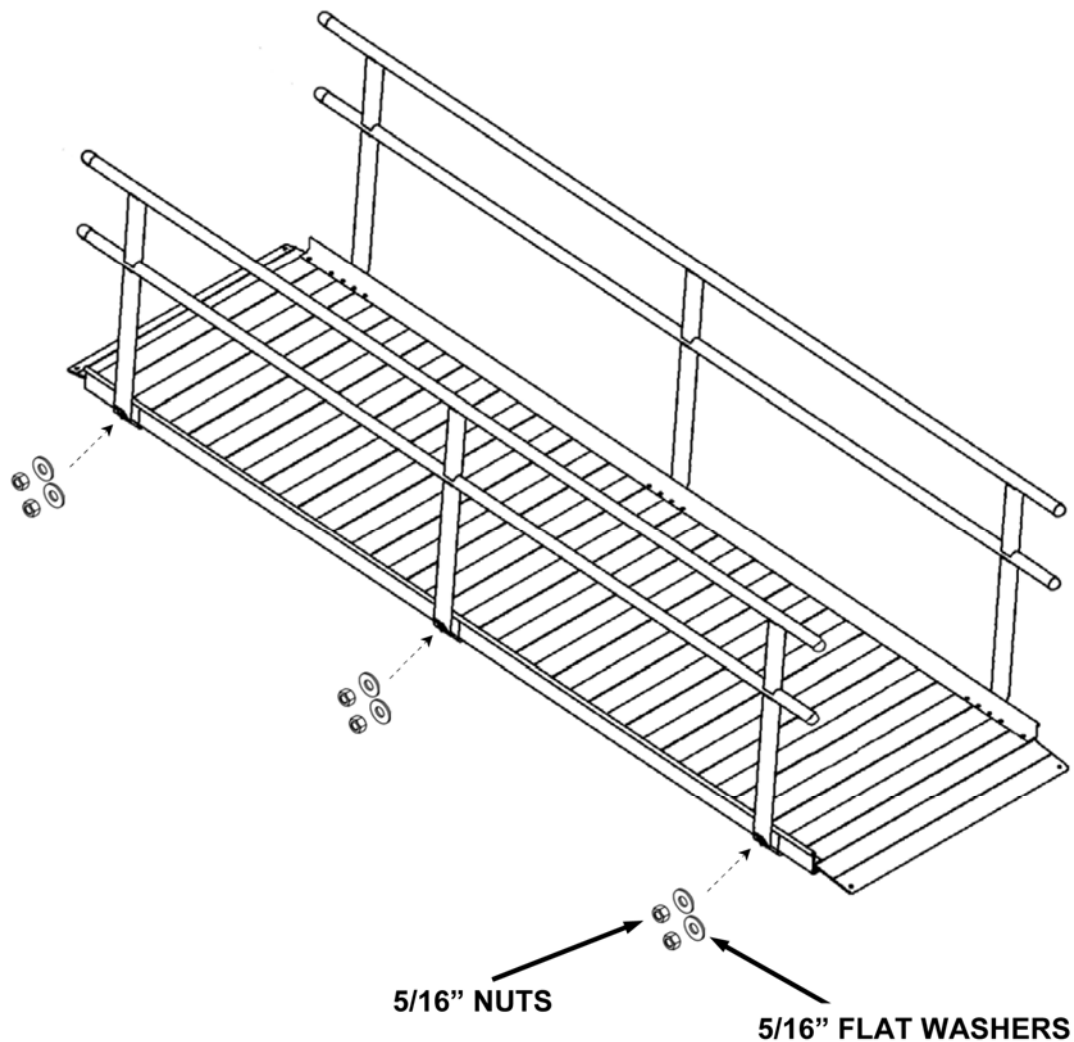
3) INSTALL HANDRAILS

A) Install handrail sections to side of ramp (FIG 6).

- i) The vertical posts of the handrails each have two holes that correspond with studs on the saddle brackets that were installed earlier.
- ii) Attach handrails onto these studs using two each 5/16" flat washers and two each 5/16" nuts per handrail post.

NOTE: If the studs do not align with the posts and are off by 6", the end saddle bracket was installed into the wrong threaded insert on the ramp. (See FIG 1 for location of the correct insert).

FIG 6



4) INSTALL END CAPS:

A) Push them in by hand or by using a rubber mallet, then twist caps once they are in place.

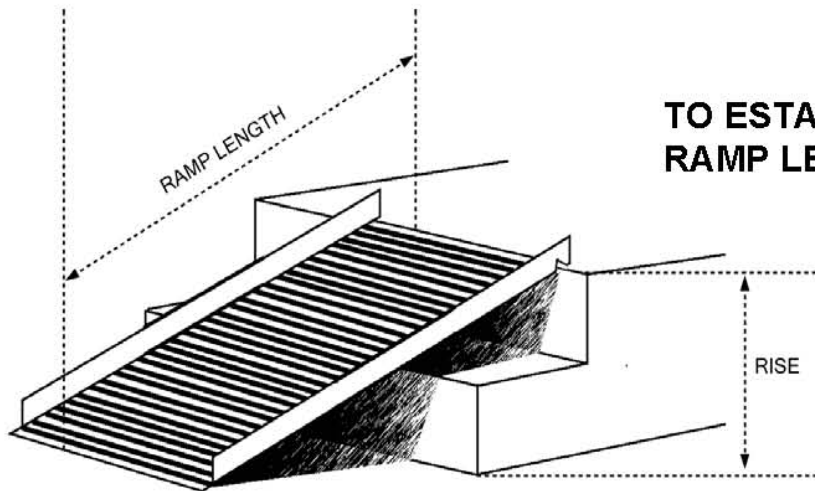
5) FINAL CHECKS:

- A) Ensure that all fasteners are in place and secure.
- B) Walk on the assembled system, checking for any undue movement.
- C) Remove any debris and metal chips.
- D) Ensure that the level and slope has not shifted during installation.
- E) CONGRATULATIONS! Your EZ-ACCESS[®] Ramp is assembled.

RAMP LENGTH

	2'	3'	4'	5'	6'	7'	8'	9'	10'
RISE 3"	7.2°	4.8°	3.6°	2.9°	2.4°	2.0°	1.8°	1.6°	1.4°
4"	9.6°	6.4°	4.8°	3.8°	3.2°	2.7°	2.4°	2.1°	1.9°
5"	12°	8.0°	6.0°	4.8°	4.0°	3.7°	3.0°	2.7°	2.4°
6"	14.5°	9.6°	7.2°	5.7°	4.8°	4.1°	3.6°	3.2°	2.9°
7"		11.2°	8.4°	6.7°	5.6°	4.8°	4.2°	3.7°	3.3°
8"		12.8°	9.6°	7.7°	6.4°	5.5°	4.8°	4.2°	3.8°
9"		14.5°	10.8°	8.6°	7.2°	6.2°	5.4°	4.8°	4.3°
10"			12.0°	9.6°	8.0°	6.8°	6.0°	5.3°	4.8°
12"			14.5°	11.5°	9.6°	8.2°	7.2°	6.4°	5.7°
14"				13.5°	11.2°	9.6°	8.4°	7.4°	6.7°
16"					12.8°	11.0°	9.6°	8.5°	7.7°
18"					14.5°	12.4°	10.8°	9.6°	8.6°
20"						13.8°	12.0°	10.7°	9.6°
22"							13.2°	11.8°	10.6°
24"							14.5°	12.8°	11.5°
26"								13.9°	12.5°
28"								15.0°	13.5°
30"									14.5°

IMPORTANT: Refer to your equipment's (wheelchair or scooter) User Guide for exact recommendations concerning acceptable usage and incline/decline.



TO ESTABLISH THE PROPER RAMP LENGTH:

- Determine the incline that your chair is designed to climb.
- Measure the distance from the top step or landing to the ground (RISE).
- Refer to Incline Chart to find proper ramp length.
- At any incline, use ramp only with a qualified helper.

EZ-ACCESS®



1. EZ-ACCESS, a division of Homecare Products, Inc., (herein referred to as Manufacturer), warrants that the equipment shall be free from defects in material and workmanship under normal use and service for a period of 3-years from the date of original purchase. This limited warranty applies to the original purchaser only and is non-transferable. This limited warranty is applicable to defective metal structure components only (excludes powder coated finish, applied non-skid tread, etc.) No part of this warranty will apply to any equipment which has been subject to misuse, vandalism, negligence, alteration, improper loads, accident, improper installation, or which has been repaired outside Manufacturer's place of business in any way as in the reasonable judgment of Manufacturer, to adversely affect its performance and reliability, nor to normal deterioration due to wear, tear and exposure, corrosion, or damage caused by rain, fire, earthquake or other natural causes or acts of nature.
2. Manufacturer's obligation and purchaser's sole remedy under this warranty is limited to, at Manufacturer's option, repairing or replacing equipment which is returned to its place of business and which, upon examination, shall disclose to Manufacturer's reasonable satisfaction to have been defective. Manufacturer will make the repair or replacement of defective components at its own expense. If Purchaser discovers a defect, he/she must call Manufacturer at 253-249-1101 to request a Return Authorization (RA) to return the merchandise to Manufacturer.
3. If Manufacturer determines, in its sole discretion, to replace the equipment with either a new or repaired unit, purchaser shall be responsible for a charge prorated on the following basis: The purchaser will be allowed a credit against the purchase price of equivalent equipment at the time of return to Manufacturer, in proportion to the percentage of the warranted service life remaining at the time of such return. Purchaser will be responsible to pay the balance of the purchase price of equivalent equipment. Manufacturer reserves the right to require payment prior to delivery of the repaired/replaced equipment. In calculating available credit, the remaining warranted service life will be rounded up or down to the nearest whole year. YEARS 0-1: Unit repaired or replaced; YEARS 1-2: Repair or 50% \$ credit (current purchase price multiplied by credit percentage); YEARS 2-3: Repair or 25% \$ credit (current purchase price multiplied by credit percentage). This limited warranty does not cover removal or reinstallation. Manufacturer reserves the right to require Purchaser to pay for all shipping charges (Government purchases exempt).
4. **DISCLAIMER: THE WARRANTIES AND REMEDIES CONTAINED HEREIN ARE EXCLUSIVE AND IN LIEU OF ALL OTHER WARRANTIES, WHETHER EXPRESS, IMPLIED OR STATUTORY, INCLUDING ANY LIABILITY ARISING UNDER ANY WARRANTY OF MERCHANTABILITY OR FITNESS FOR A PARTICULAR PURPOSE, STATUTORY OR OTHERWISE. HOWEVER, THAT IF ANY IMPLIED WARRANTY CANNOT BE DISCLAIMED IN ANY TERRITORY WHERE A PRODUCT IS SOLD, THE DURATION OF SUCH IMPLIED WARRANTY IS LIMITED TO THE DURATION OF THE LIMITED WARRANTY DESCRIBED IN THE FIRST PARAGRAPH.**
5. **MANUFACTURER SHALL NOT BE LIABLE UNDER ANY CONTRACT, NEGLIGENCE, STRICT LIABILITY OR OTHER LEGAL OR EQUITABLE THEORY FOR ANY DIRECT, SPECIAL, INCIDENTAL OR CONSEQUENTIAL DAMAGES, RESULTING FROM THE USE, MISUSE OR INABILITY TO USE THE EQUIPMENT, OR ARISING OUT OF ANY BREACH OF THIS LIMITED WARRANTY, EVEN IF MANUFACTURER HAS BEEN ADVISED OF THE POSSIBILITY OF SUCH DAMAGES. THE SOLE REMEDY FOR A BREACH OF THE FOREGOING LIMITED WARRANTY IS REPLACEMENT OF THE DEFECTIVE OR NON-CONFORMING EQUIPMENT OR PART. THE MAXIMUM LIABILITY OF MANUFACTURER UNDER THIS WARRANTY IS LIMITED TO THE PURCHASE PRICE OF THE EQUIPMENT COVERED BY THE WARRANTY.**
6. Some states do not allow the exclusion or limitation of incidental or consequential damages, so the above limitation or exclusion may not apply to you. This warranty gives you specific legal rights, and you may also have other rights which may vary from State to State. Manufacturer reserves the right to change or improve its products without any obligation to change or improve any Product previously manufactured by it.

✂-----

WARRANTY REGISTRATION

EZ-ACCESS®, A DIVISION OF HOMECARE PRODUCTS, INC. • 700 MILWAUKEE AVE N • ALGONA WA 98001-7408

PRODUCT	STOCK NUMBER
NAME	PHONE
ADDRESS	CITY, ST, ZIP
NAME OF DEALER	DEALER'S CITY, ST, ZIP
PRICE	DATE PURCHASED
COMMENTS	
WHAT INFLUENCED YOUR PURCHASE OF THIS PRODUCT? <input type="checkbox"/> SAW IN STORE <input type="checkbox"/> RECOMMENDATION OF FRIEND <input type="checkbox"/> RECOMMENDATION OF DEALER <input type="checkbox"/> MAGAZINE AD <input type="checkbox"/> OTHER (PLEASE EXPLAIN):	

WARRANTY IS NOT VALID UNLESS POSTMARKED WITHIN 10 DAYS OF PURCHASE

THANK YOU FOR CHOOSING EZ-ACCESS[®] RAMPS.

PLEASE VISIT US AT

www.ezaccess.com

FOR ALL OF YOUR RAMPING NEEDS.

253-249-1108 • FAX 253-939-7125