

TILT TOP OVERBED TABLE MODEL NO. 6418



Assembly, Installation and Operating Instructions

NOTE: Check ALL parts for shipping damage. In case of shipping damage, DO NOT use. Contact Carrier/Dealer for further instruction.

SAFETY SUMMARY

The following recommendations are made for the safe assembly of the Tilt Top Overbed Table:

WARNING

DO NOT assemble or use this equipment without first reading and understanding this instruction sheet. If you are unable to understand the Warnings, Cautions or Instructions, contact a health-care professional, dealer or technical personnel before attempting to install this equipment - otherwise, injury or damage may occur.

After assembly and BEFORE use, ensure ALL attaching hardware is securely tightened.

Do NOT remove shipping screw and shipping strap from column assembly prior to assembly. The column assembly is spring loaded and may cause injury.

ASSEMBLING THE TILT TOP OVERBED TABLE (FIGURE 1)

*NOTE: Before assembly, refer to **WARNINGS** in the **SAFETY SUMMARY** of this instruction sheet.*

1. Lay the tilt top table assembly on a flat surface as shown in **FIGURE 1**.
2. Position column assembly onto top bracket.
3. Align holes in the column assembly with holes in the top bracket.
4. Secure column assembly to top bracket and tilt top table assembly with shoulder bolt and locknut. Securely tighten.
5. Place the base assembly upside down on a flat surface with the top bracket facing UP.
6. Install one (1) caster, by pushing the stem portion into the base frame, until it snaps into place.
7. Repeat **STEP 6** for remaining three (3) casters.
8. Position bolt plate onto base frame.
9. Secure the bolt plate and base frame to the column assembly using the two (2) bolts. Hand tighten.

10. Position the table on its side.

NOTE: This will prevent excess stress on the bolts when securing.

11. Securely tighten the two (2) bolts in **STEP 9**.
12. Remove the shipping screw and shipping strap from the column assembly.
13. Adjust or tilt the overbed table, if necessary. Refer to **ADJUSTING/TILTING THE TILT TOP OVERBED TABLE** in this instruction sheet.

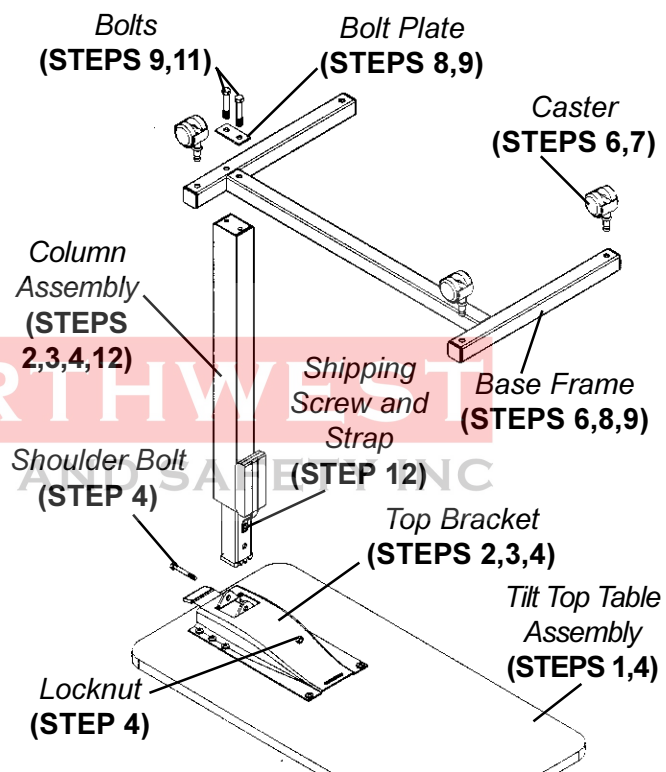


FIGURE 1 - ASSEMBLING THE TILT TOP OVERBED TABLE

ADJUSTING/TILTING THE TILT TOP OVERBED TABLE (FIGURE 2)

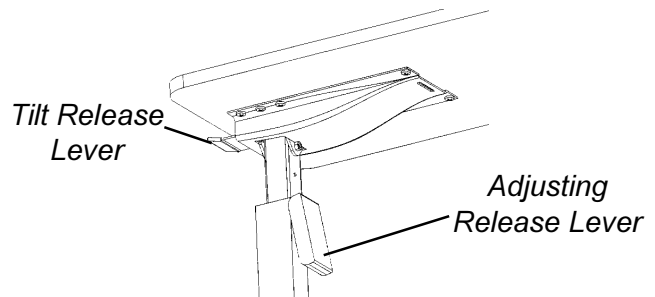
*NOTE: The table **MUST** be in the upright position **BEFORE** adjusting/tilting.*

Adjusting

1. Press **DOWN** on the lower portion of the release lever and adjust the Tilt Top Overbed Table **UP** or **DOWN**.
2. Release the lever when at the desired position.

Tilting

1. Pull UP on the tilt release lever to activate.
2. Tilt the table to the desired angle and release the lever.



**FIGURE2-ADJUSTING/TILTINGTHE TILT TOP
OVERBEDTABLE**

LIMITED WARRANTY

PLEASE NOTE: THE WARRANTY BELOW HAS BEEN DRAFTED TO COMPLY WITH FEDERAL LAW APPLICABLE TO PRODUCTS MANUFACTURED AFTER JULY 4, 1975.

This warranty is extended only to the original purchaser/user of our products.

This warranty gives you specific legal rights and you may also have other legal rights which vary from state to state.

Invacare warrants its product to be free from defects in materials and workmanship for three (3) years for the original purchaser. If within such warranty period any such product shall be proven to be defective, such product shall be repaired or replaced, at Invacare's option. This warranty does not include any labor or shipping charges incurred in replacement part installation or repair of any such product. Invacare's sole obligation and your exclusive remedy under this warranty shall be limited to such repair and/or replacement.

For warranty service, please contact the dealer from whom you purchased your Invacare product. In the event you do not receive satisfactory warranty service, please write directly to Invacare at the address below. Provide dealer's name, address, model number, date of purchase, indicate nature of the defect and, if the product is serialized, indicate the serial number.

Invacare Corporation will issue a return authorization. The defective unit or parts must be returned for warranty inspection using the serial number, when applicable, as identification within thirty (30) days of return authorization date. DO NOT return products to our factory without our prior consent. C.O.D. shipments will be refused; please prepay shipping charges.

LIMITATIONS AND EXCLUSIONS: THE WARRANTY SHALL NOT APPLY TO PROBLEMS ARISING FROM NORMAL WEAR OR FAILURE TO ADHERE TO THE ENCLOSED INSTRUCTIONS. IN ADDITION, THE FOREGOING WARRANTY SHALL NOT APPLY TO SERIAL NUMBERED PRODUCTS IF THE SERIAL NUMBER HAS BEEN REMOVED OR DEFACED; PRODUCTS SUBJECTED TO NEGLIGENCE, ACCIDENT, IMPROPER OPERATION, MAINTENANCE OR STORAGE; OR PRODUCTS MODIFIED WITHOUT INVACARE'S EXPRESS WRITTEN CONSENT INCLUDING, BUT NOT LIMITED TO: MODIFICATION THROUGH THE USE OF UNAUTHORIZED PARTS OR ATTACHMENTS; PRODUCTS DAMAGED BY REASON OF REPAIRS MADE TO ANY COMPONENT WITHOUT THE SPECIFIC CONSENT OF INVACARE; PRODUCTS DAMAGED BY CIRCUMSTANCES BEYOND INVACARE'S CONTROL; PRODUCTS REPAIRED BY ANYONE OTHER THAN AN AUTHORIZED INVACARE DEALER, SUCH EVALUATION SHALL BE SOLELY DETERMINED BY INVACARE.

THE FOREGOING WARRANTY IS EXCLUSIVE AND IN LIEU OF ALL OTHER EXPRESS WARRANTIES, IF ANY, INCLUDING THE IMPLIED WARRANTIES OF MERCHANTABILITY AND FITNESS FOR A PARTICULAR PURPOSE. IT SHALL NOT EXTEND BEYOND THE DURATION OF THE EXPRESSED WARRANTY PROVIDED HEREIN AND THE REMEDY FOR VIOLATIONS OF ANY IMPLIED WARRANTY SHALL BE LIMITED TO REPAIR OR REPLACEMENT OF THE DEFECTIVE PRODUCT PURSUANT TO THE TERMS CONTAINED HEREIN. INVACARE SHALL NOT BE LIABLE FOR ANY CONSEQUENTIAL OR INCIDENTAL DAMAGES WHATSOEVER.

THIS WARRANTY SHALL BE EXTENDED TO COMPLY WITH STATE/PROVINCIAL LAWS AND REQUIREMENTS.

INVACARE CORPORATION | ONE INVACARE WAY | Elyria, Ohio 44036
Customer Service (800) 333-6900 | Technical Support (800) 832-4707