

84-INCH BED EXTENSION

Assembly, Installation and Operating Instructions

Model No. 5143 and 5143IVC



Yes, you can:

SAVE THESE INSTRUCTIONS

NOTE: Check ALL parts for shipping damage. If shipping damage is noted, DO NOT use. Contact Invacare for further instruction.

SAFETY SUMMARY

To ensure the safe installation of the 84-inch bed extension, these instructions **MUST** be followed:

WARNING

DO NOT install this equipment without first reading and understanding this instruction sheet. If you are unable to understand the warnings, cautions, and instructions, contact a healthcare professional, dealer or technical personnel before attempting to use this equipment - otherwise injury or damage may occur.

Ensure **ALL** screws and nuts are tight at all times.

The 84-inch Bed Extension Kit **DOES NOT** change the weight limitation of your bed. Refer to your owner's manual for correct weight limitation.

PURPOSE:

For conversion of a Mobilite 80-inch Split Spring Mattress Platform to an 84-inch Mattress Platform.

TOOLS REQUIRED:

Two (2) 1/2-inch Open End Wrenches
One (1) Vise Grip

Kit Includes the Following:

ITEM	PART NO.	QTY.	DESCRIPTION
1	7000M465	1	Extension Weldment L.H.
2	7000M466	1	Extension Weldment R.H.
3	7000M713	1	Drive Shaft Assembly
4a	7000M469	1	Pull Tube End Assembly (5143)
4b	1118839	1	Pull Tube End Assembly (5143IVC)
5	53000M699	2	Link Fabric Extension w/ Open Hooks Attached
6	53000M701	1	Instruction Sheet
7	53000M434	2	Bi-way Locknut
8	54000M641	2	5/16-18 x 1-inch Bolt
9	51000M135	4	Helical Spring

DISASSEMBLY

1. Remove the main drive shaft from the bed.
2. Retract the footboard drive shaft.
3. Disconnect head spring pull tube by removing cotter and clevis pins.

4. Raise head end of bed and disengage the open end hooks that secure the head and foot springs together.
5. Remove head end and foot boards.
6. Lay bed on side and rotate head and foot spring sections to a 90° angle.

NOTE: This will allow you to disengage head spring from foot spring.

INSTALLATION

1. Attach four-inch extension (**Items 1 and 2**) to the right and left hand sides of the foot spring center angle using 5/16-18 x 1-inch Bolt (**Item 8**) and Bi-way Locknut (**Item 7**). Refer to **FIGURE 1**. Securely tighten.
2. Reassemble foot spring to head spring. Refer to **FIGURE 2**.

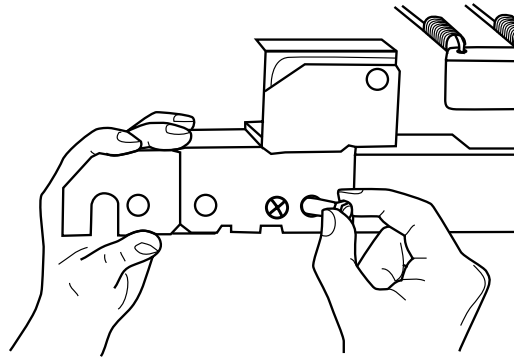


FIGURE 1 - ATTACHING FOUR-INCH EXTENSION TO FOOT SPRING CENTER ANGLE

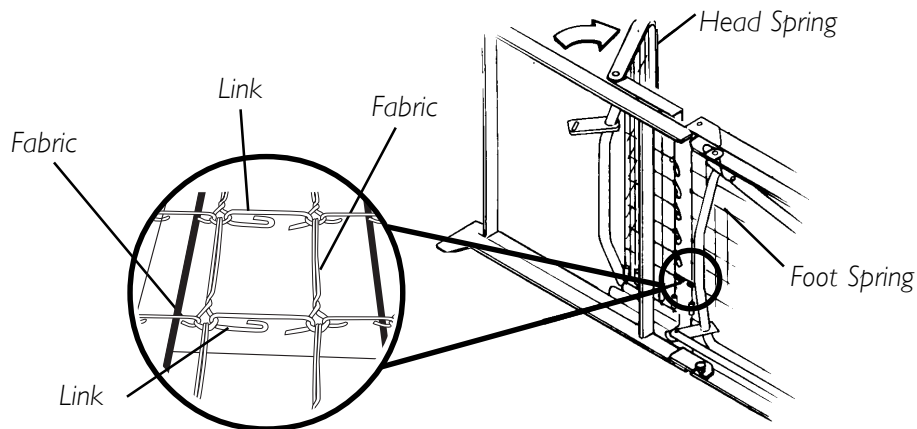


FIGURE 2 - ASSEMBLING FOOT SPRING TO HEAD SPRING

3. Attach the six (6) open-end hooks to the existing link fabric at the foot spring of the bed assembly.

NOTE: Make sure the open end of the hooks are positioned down towards the ground/floor.

4. Attach one (1) helical spring to one (1) end of the link fabric extension supplied with the kit. Refer to **FIGURE 3**.
5. Attach the opposite end of the helical spring to one (1) of the four (4) mounting holes in the four-inch extension.
6. Secure the open-end hooks to the link fabric extension.

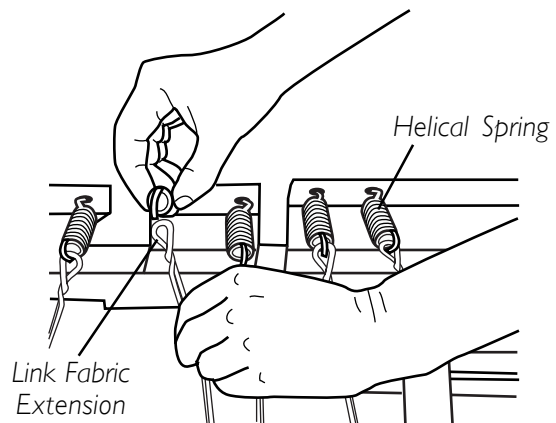


FIGURE 3 - ATTACHING OPEN-END HOOKS

7. Attach second helical spring to the opposite end of the link fabric extension.
8. Using vise grips, secure the helical spring into the mounting hole on the four-inch extension. Refer to **FIGURE 4**.
9. Repeat this procedure for other link fabric extension.

NOTE: Make sure open end of hooks are positioned down towards the ground/floor.

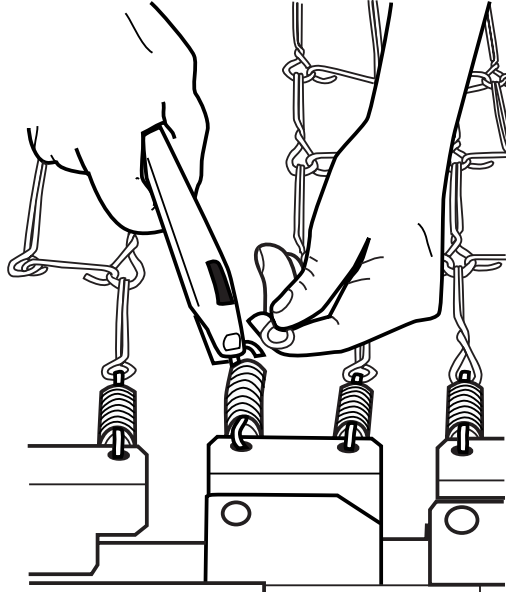


FIGURE 4 - ATTACHING STRANDS TO EXTENSION

10. To connect the link fabric extension to the head spring, manually raise the head spring and attach open-end hooks to the head spring. Refer to **FIGURE 5**.

NOTE: Make sure the open end of the hooks are positioned down towards the ground/floor.

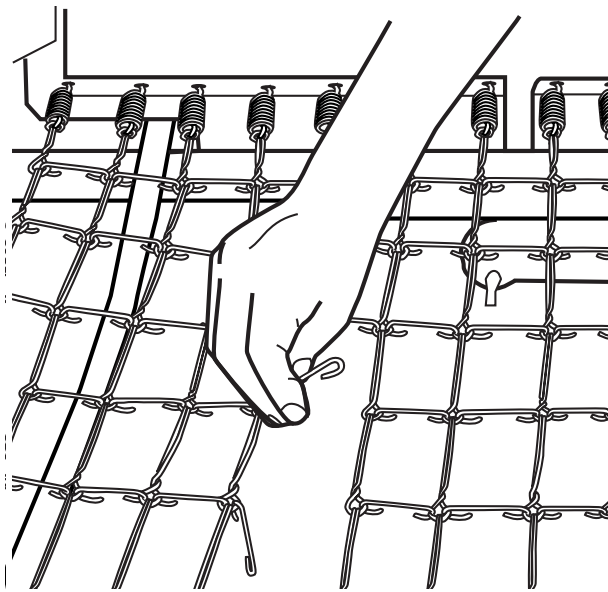


FIGURE 5 - ATTACHING LINKS FROM HEAD SPRING TO FOOT SPRING

11. Attach bed ends to head and foot spring assemblies.

NOTE: If the bed has manually or motorized adjustable bed ends, use the extended drive shaft supplied with this kit.

12. Replace the existing drive shaft with the extended drive shaft supplied with this kit.

13. Remove existing pull tube end in head motor assembly or head crank assembly and replace with the pull tube end furnished with this kit.

14. Reconnect pull tube end to head spring drive arm using the clevis and cotter pins. Refer to **FIGURE 6**.

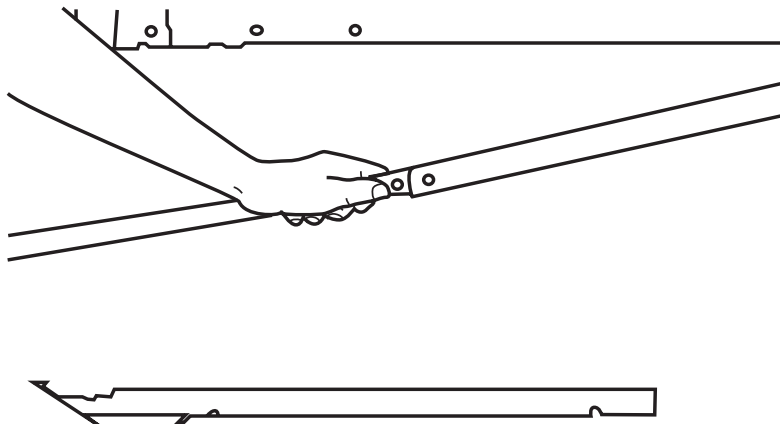


FIGURE 6 - ATTACHING PULL TUBE END TO HEAD DRIVE ARM

15. Bed requires an 84-inch mattress.

NOTE: If assistance is required or any problems are encountered during the conversion, contact customer service at 1-800-333-6900



Yes, you can.™

Invacare Corporation www.invacare.com

USA
One Invacare Way
Elyria, Ohio USA
44036-2125
800-333-6900

Canada
570 Matheson Blvd E Unit 8
Mississauga Ontario
L4Z 4G4 Canada
800-668-5324

Invacare is a registered trademark of Invacare Corporation.
Yes, you can. is a trademark of Invacare Corporation.
© 2004 Invacare Corporation
Part No. 53000M701 Rev F 06/04