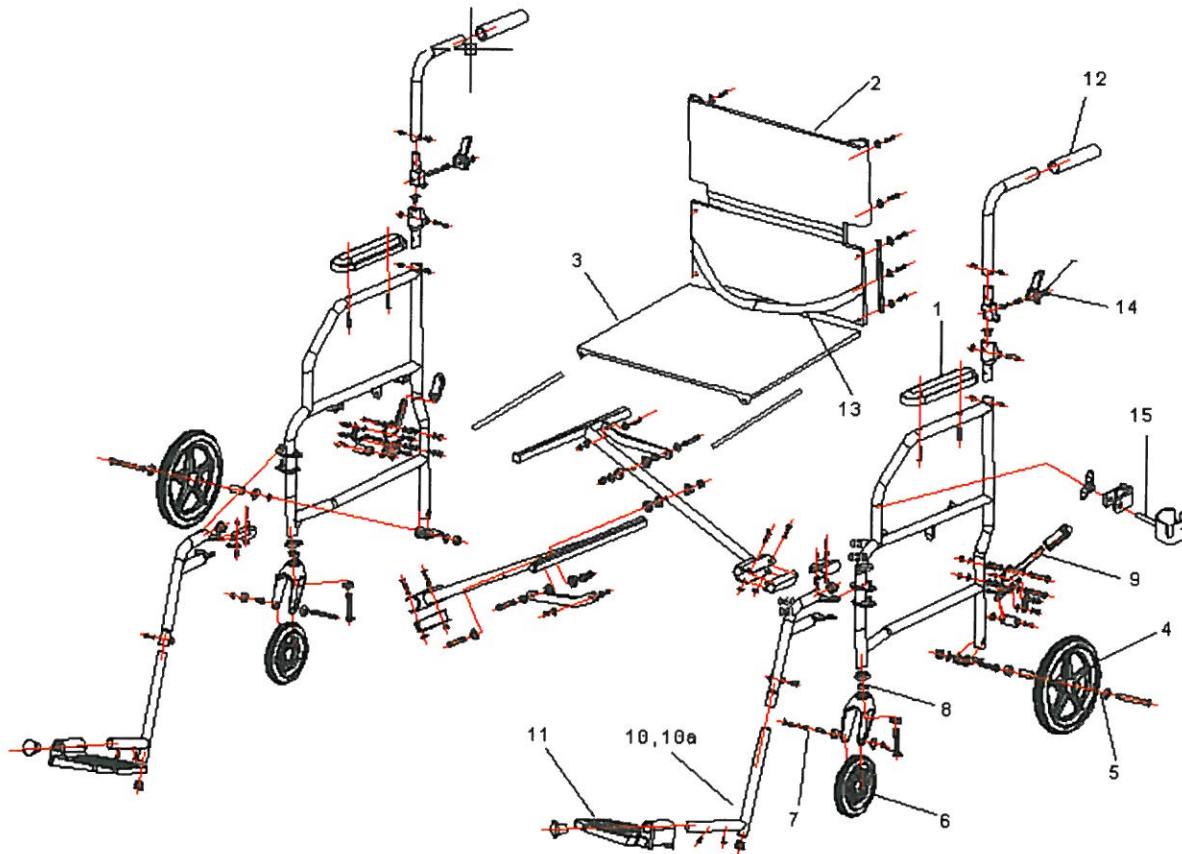




# Wheelchair Parts Guide



## Superlight Freedom Aluminum Transport

MDS808200SLR	19" Permanent desk-length arms, swing-away footrests, red
MDS808200SLB	19" Permanent desk-length arms, swing-away footrests, blue



## Wheelchair Parts Guide

### EXCEL SUPERLIGHT FREEDOM TRANSPORT WHEELCHAIR PARTS LIST

<b>MDS808200SLR / MDS808200SLB</b>		<b>Item #</b>
1	ARMREST PAD, DESK LENGTH, EACH	WCA806915SL
2	BACK UPHOLSTERY, NYLON	WCA808926SL
3	SEAT UPHOLSTERY, NYLON	WCA808920SL
4	REAR TIRE AND BEARING	WCA806935SL
5	REAR AXLE AND HARDWARE	WCA806951SL
6	FRONT CASTER AND BEARINGS	WCA806930SL
7	AXLE & HARDWARE FOR FRONT CASTER	WCA806933SL
8	STEM BEARING FOR FRONT CASTER	WCA806950SL
9	WHEEL LOCK ASSEMBLY	PENDING
10	FOOTREST ASSEMBLY, RED	WCA806965R
10a	FOOTREST ASSEMBLY, BLUE	WCA806965B
11	FOOTPLATE ASSEMBLY, COMPOSITE	WCA806901
12	HANDGRIPS, PAIR	WCA806909
13	SAFETY BELT	WCABELT
14	FOLDING MECHANISM, PADDLE AND SOCKET	WCA808902
15	CUP HOLDER	WCACUP